

**TEKA****MAESTRO HLC847 C**

SurroundTemp Compact Multifunction Oven in 45cm with microwave function



Defrost By Time



Defrost By Weight



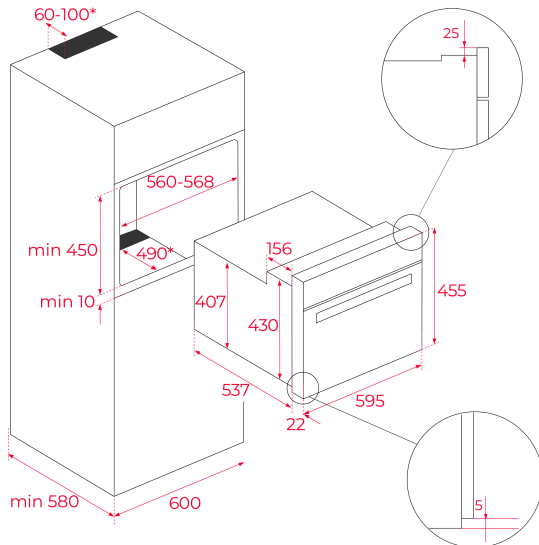
40L



HydroClean



SurroundTemp

**REFERENCE****FEATURES**

Multifunction SurroundTemp oven + Microwave

11 cooking functions

5 power levels + 1000 W microwave power

2500 W Grill

Defrost by time and weigh

HydroClean system

Touch control display with knobs

Electronic timer (Delay/Start function)

Chrome supports with 5 cooking levels

Removable triple glazed door

Automatic disconnection security system

Children safety lock

Anti-tip glass tray and reinforced grid

Capacity (gross/net): 41 / 40 litres

**DIMENSIONS****Product height (mm):** 455**Product width (mm):** 595**Product depth (mm):** 559**Product length (mm):****Net weight (Kg):** 30,0**TECH SPECS**

Energy Efficiency Class: -

Power rate (V): 220-240

Frequency (Hz): 50

Maximum Nominal Power (W): 3400

**COLOURS**

40587602

Black Glass



40587612

White Glass with StainlessSteel frame



# HLC 847 C

## Microwave Oven Cooking Symbols & Functions



### Oven Cooking Functions:

15



#### Conventional Heating

Even heat distribution for consistent baking, ideal for recipes like sponge cakes.



#### Conventional + Fan

Blends traditional heating with fan circulation, good for evenly cooked roasts and cakes.



#### Grill

Direct, intense heat from above, great for grilling and browning meats.



#### Grill + Fan

Top grilling with fan-assisted heat, ensuring even browning.



#### Grill + Bottom

Combines grill and bottom heat, perfect for evenly roasted meats.



#### MaxiGrill

Efficiently grills larger surfaces, suitable for big dishes.



#### Bottom

Heat focused from the bottom, excellent for crispy bases in pastry dishes.



#### Pizza

Tailored for pizzas and pastries, ensuring crispy crusts and evenly cooked toppings.



#### Turbo

Consistent temperature for multi-level cooking, ideal for cooking multiple dishes.



#### Slow Cooking

Lowers cooking speed for tender, flavourful dishes.



#### Eco

Efficient, energy-saving cooking with intelligent temperature control.



#### Defrosting

Thaws food quickly and evenly, preparing it for cooking.

### Additional Functions:



#### Fast Preheating

Quickly brings the oven up to the desired temperature for efficient cooking.



#### HydroClean® Pro

Turns water to steam to soften stubborn grease for easy cleaning.

### Microwave Functions:



#### Microwave

Basic function for quick heating and cooking.



#### Microwave + Grill

Combines microwave speed with grilling for fast, crispy results.



#### Microwave Combi

Integrates microwave functionality with other oven features for versatile and efficient cooking.