

REFERENCE

REF: 40590640

EAN: 8421152149188

FEATURES

Built-in Microwave + Grill

3 cooking functions

8 direct access menus

2 memories

5 power levels, 1450 W

Grill power: 1000 W

Defrost by time and weight

Touch control display with minute minder

Double glazed door with right opening

Electronic door opening

Children safety lock

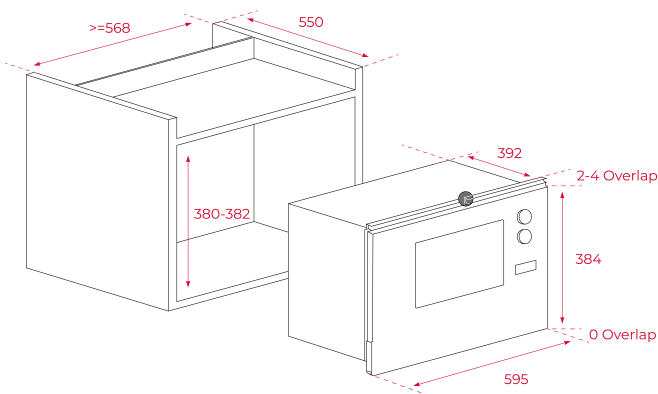
Automatic disconnection when open door

Incandescent inner light

Quick start

Capacity (gross/net): 25 / 23.6 litres

Stainless steel cavity

Defrost By
TimeDefrost By
WeightDirect
Access
MenuElectronic
Door
Opening

DIMENSIONS

Product height (mm): 384**Product width (mm):** 595**Product depth (mm):** 392**Product length (mm):****Net weight (Kg):** 17,6

TECH SPECS

MWO Power (W): 900

Frequency (Hz): 50

Maximum Nominal Power (W): 1450

Grill (W): 1000

COLOURS



40590640

Black Glass with StainlessSteel frame