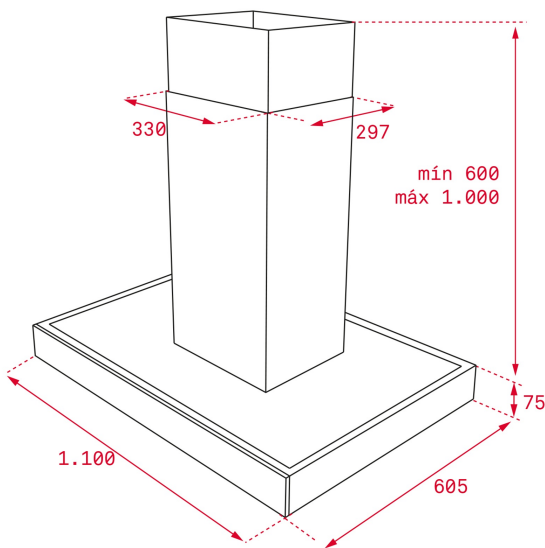




LED

Perimeter
extractionStop Delay
Timer

REFERENCE

REF: 40483173

EAN: 8421152145784

FEATURES

Decorative horizontal island hood

Touch control

Rim extraction

3 speeds + 1 intensive

Free Outlet exhaust capacity (m³/h): 920Intensive speed exhaust capacity (m³/h): 782Max speed exhaust capacity (m³/h): 629Min speed exhaust capacity (m³/h): 331

Intensive speed sound level (dBA): 69

Max speed sound level (dBA): 66

Min speed sound level (dBA): 54

4 LED lamps

3 aluminium filters

Stop delay timer

Filter saturation indicator

Operating pilot light

Anti-return valve included

Outlet reduction included

Optional recirculation kit with tube cover installation: SET 1/T1

Optional Charcoal Filter: D4C

DIMENSIONS

Product height (mm): 817-1117**Product width (mm):** 1100**Product depth (mm):** 605**Product length (mm):****Net weight (Kg):** 21,25

TECH SPECS

Energy Efficiency Class: -

Noise (LwA) Min Speed (dB): 0

Noise (LwA) Max Speed (dB): 0

Noise (LwA) Boost Speed (dB): 0

Ø Outlet (mm): 150

COLOURS



40483173

Stainless Steel/Black Glass



40483172

Stainless Steel/Black Glass