

**TEKA****TOTAL HSB 645**

60cm Multifunction SurroundTemp Oven with HydroClean system



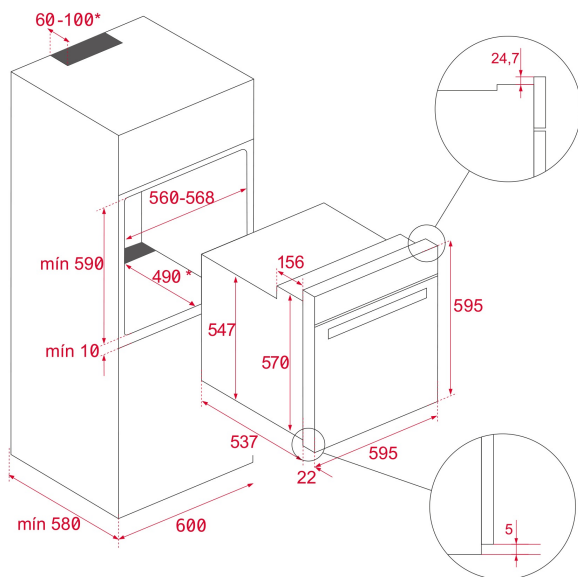
70L

Plus  
Extension  
Telescopic  
Guide

HydroClean



SurroundTemp

**REFERENCE**

REF: 41560150

EAN: 8421152148969

**FEATURES**

Multifunction SurroundTemp oven  
 9 cooking functions  
 Automatic HydroClean system  
 Mechanical control knobs  
 Electronic timer  
 Chrome supports with 5 cooking levels  
 Easy slide telescopic guides  
 Removable double glazed door  
 Manual quick preheating  
 Anti-tip deep tray  
 Capacity (gross/net): 71 / 70 litres

**DIMENSIONS****Product height (mm):** 595**Product width (mm):** 595**Product depth (mm):** 537+22**Product length (mm):****Net weight (Kg):** 28**TECH SPECS**

Energy Efficiency Class: A+

Power rate (V): 220-240

Frequency (Hz): 50/60

Maximum Nominal Power (W): 3215

**COLOURS**

41560150

Stainless Steel



# HSB 645

## Oven Cooking Symbols & Functions



### Oven Cooking Functions:

9



#### Conventional Heating

Even heat distribution for consistent baking, ideal for recipes like sponge cakes.



#### Bottom

Heat focused from the bottom, excellent for crispy bases in pastry dishes.



#### Grill

Direct, intense heat from above, great for grilling and browning meats.



#### MaxiGrill

Efficiently grills larger surfaces, suitable for big dishes.



#### MaxiGrill + Fan

Suitable for both surfaces roasting and even cooking of meats and casseroles.



#### Pizza

Tailored for pizzas and pastries, ensuring crispy crusts and evenly cooked toppings.



#### Turbo

Consistent temperature for multi-level cooking, ideal for cooking multiple dishes.



#### Eco

Efficient, energy-saving cooking with intelligent temperature control.



#### Defrosting

Thaws food quickly and evenly, preparing it for cooking.

### Additional Functions:



#### Fast Preheating

Quickly brings the oven up to the desired temperature for efficient cooking.



#### HydroClean® Pro

Turns water to steam to soften stubborn grease for easy cleaning.



#### Slow Cooking

Lowers cooking speed for tender, flavourful dishes.