

TEKA**MAESTRO HLB 830**

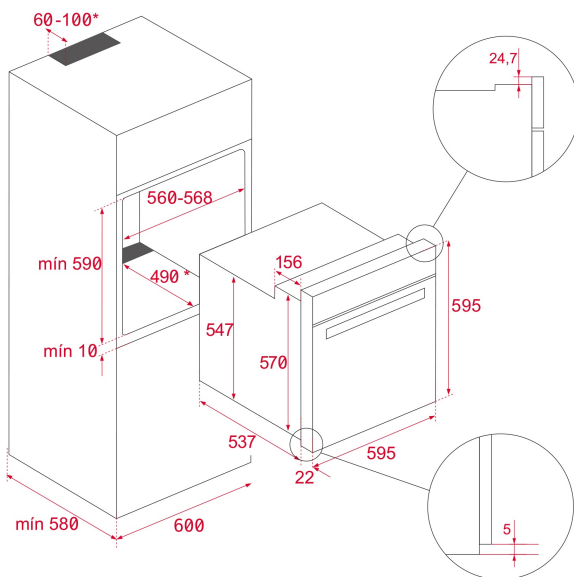
Multifunction oven with HydroClean cleaning system



70 L

Plus
Extension
Telescopic
Guide

HydroClean

**REFERENCE**

REF: 41560060

EAN: 8421152148570

FEATURES

Multifunction oven
 6 cooking functions
 Automatic HydroClean system
 Mechanical control knobs
 Electronic timer
 Chrome supports with 5 cooking levels
 Easy slide telescopic guides
 Removable double glazed door
 Manual quick preheating
 Anti-tip deep tray
 Capacity (gross/net): 71 / 70 litres

DIMENSIONS**Product height (mm):** 595**Product width (mm):** 595**Product depth (mm):** 537+22**Product length (mm):****Net weight (Kg):** 27**TECH SPECS**

Energy Efficiency Class: A+

Power rate (V): 220-240

Frequency (Hz): 50/60

Maximum Nominal Power (W): 2593

COLOURS

41560060

Black Glass with StainlessSteel frame



HLB 830

Oven Cooking Symbols & Functions



Additional Functions:



Fast Preheating

Quickly brings the oven up to the desired temperature for efficient cooking.



HydroClean® Pro

Turns water to steam to soften stubborn grease for easy cleaning.

Oven Cooking Functions:

6



Grill + Bottom

Combines grill and bottom heat, perfect for evenly roasted meats.



Grill

Direct, intense heat from above, great for grilling and browning meats.



Grill + Bottom + Fan

Blends traditional heating with fan circulation, good for evenly cooked roasts and cakes.



Bottom

Heat focused from the bottom, excellent for crispy bases in pastry dishes.



Eco

Efficient, energy-saving cooking with intelligent temperature control.



Defrosting

Thaws food quickly and evenly, preparing it for cooking.